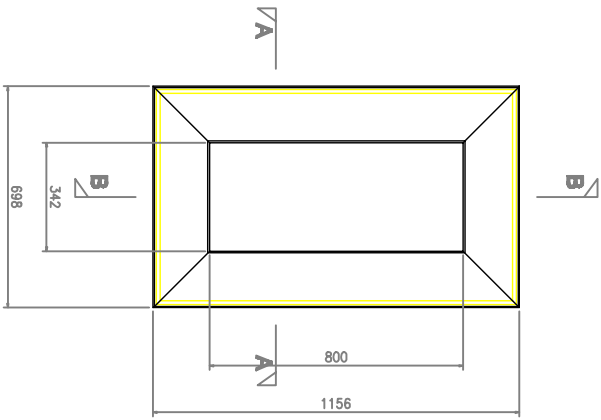
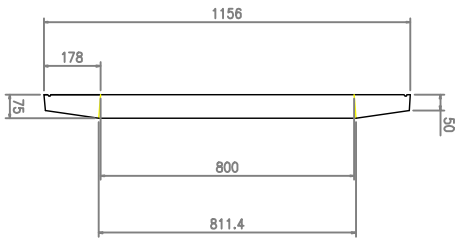


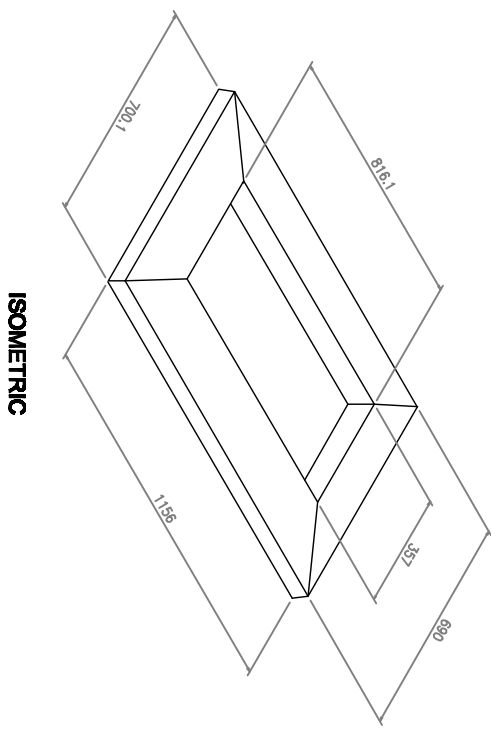
SECTION A-A



PLAN



SECTION B-B



ISOMETRIC

STANDARD DOUBLE CHIMNEY CAP
1156mm x 698mm x 75mm