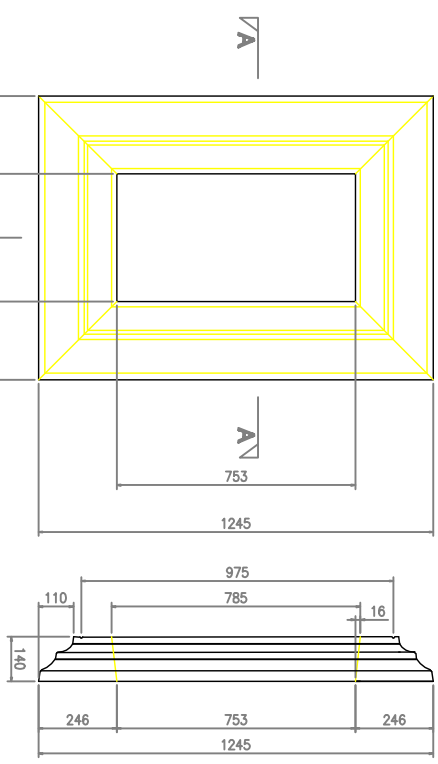
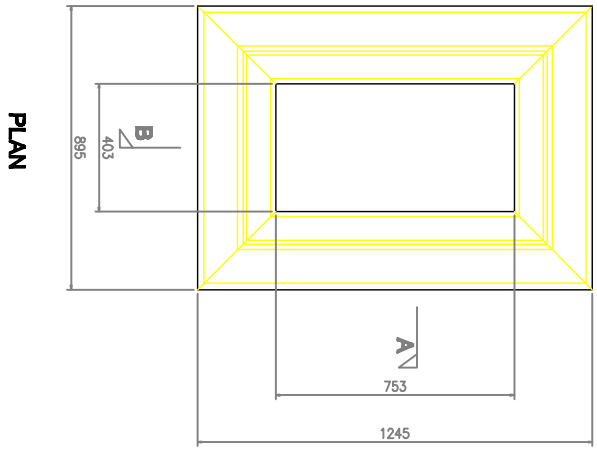


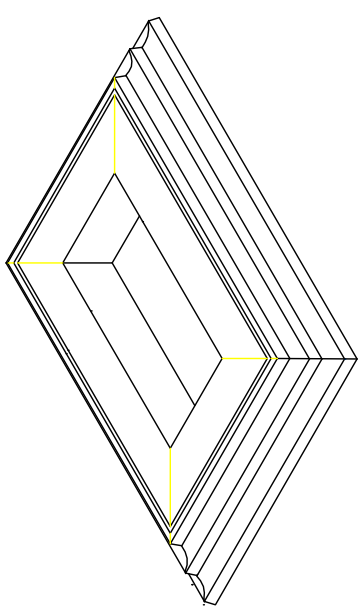
**SECTION A-A**



**SECTION B-B**



**PLAN**



**ISOMETRIC**

**MOULDED DOUBLE CHIMNEY CAP**  
**1245mm x 895mm x 140mm**