



Kilcarrig Quarries Ltd, Kilcarrig, Bagenalstown, Co. Carlow

"Precast Concrete – Floor slats for livestock"

17

Certification Body NSAI 050

I.S. EN 12737:2004+A1:2007

0050 – CPR – 0368

"I.S. EN 12737:2004+A1:2007: Precast Concrete – Floor slats for livestock"

Product "(CS11.6) 3505MM SLAT LOAD CLASS A3 TYPE HD"

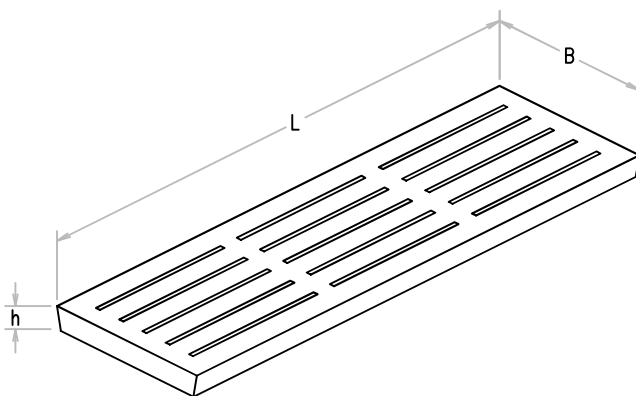
Concrete:

Compressive strength Fck 50 N/mm²

Reinforcing steel:

Ultimate tensile strength Ftk 650 N/mm²

Tensile yield strength Fyk 500N/mm²



L = 3505mm

B = 1200mm

h = 185mm

Refer To Dop No.602

For geometrical data, detailing, reinforcing steel cover, mechanical strength reactions, thermal conductivity, composite structural design details, durability.

See design specification.

Design Specification:

See Clients order



DECLARATION OF PERFORMANCE

Dop No.602 Rev Aug 2022

Precast concrete Livestock flooring (IS EN 12737)

1. Unique identification code of product type

CS11.6

2. Intended use of the product, in accordance with the applicable technical specification, as foreseen by the manufacturer:

Flooring in a livestock shed

3. Name ,registered trade name or registered trade mark and contact address of the manufacturer:

Kilcarrig Quarries , Kilcarrig, Bagenalstown, Co. Carlow

4. N/A

5. System of AVCP System 2+

6. Harmonized standard:

I.S EN 12737:2004+A1:2007: Precast Concrete – Floor slats for livestock”

Name and identification number of the notified body, NSAI “National Standards Authority of Ireland” - 0050 has performed initial inspection of the manufacturing plant and of *Factory Production Control and the continuous surveillance, assessment and evaluated under system: 2+* and issued the certificate of conformity of the factory production control 0050 – CPR - 0368

7. Declared Performance

Essential characteristics	Performance	Harmonised technical specification
Precast Concrete: Length, Height and Breadth:	<i>Length (mm) Height (mm) Breadth(mm)</i>	I.S. EN 12737:2004+A1:2007
Cattle slat sizes:	3200 185 1200	
	3505 185 1200	

	3810	185	1200
	4420	230	1290
	5030	250	1290
Concrete mix design ref:	C40/50		
Compressive Strength:	Fck 50 N/mm ²		
Ultimate tensile strength of reinforcing steel:	Ftk 650 N/mm ²		
Tensile yield strength of reinforcing steel:	Fyk 500 N/mm ²		
Concrete cover of reinforcing steel:	35mm		
Water absorption:	<3 %		
For geometrical data, detailing, reinforcing steel cover, mechanical strength reactions, thermal conductivity, cast-in certified lifting system, composite structural design details, durability <i>see design specification</i> .			
Design Specification:	<i>See Clients order</i>		

8. The performance of the product identified in points 1 and 2 is in conformity with the declared performance in point 7. This declaration of performance is issued under the sole responsibility of the manufacturer identified in point 4

Signed for and on behalf of the manufacturer by:

Robert Reddy (Quality Manager)

(Name and function)

Kilcarrig – August 2022

(Place and date of issue)